

LIFAair®

OPERATING AND MAINTENANCE MANUAL



LIFA HepaClean 1100

Electrically operated negative air pressure machine / air cleaner

LIFA HepaClean 1100



IMPORTANT!
Read these instructions carefully before operating the machine!

These instructions should always be available for the personnel operating the machine. Please read these instructions carefully before operating the machine. Following these instructions in detail ensures many years of trouble-free use.

Index

LIFA HepaClean 11003
 Safety Precautions4
 General Directions6
 Construction and Control.....7
 Operating Principles8
 Service and Maintenance9
 Technical Data10
 Spare parts and accessories11
 Warranty12
 Recycling13
 Declaration of Conformity14
 LIFA Air Product Family15



Congratulations on your new LIFA HepaClean 1100 negative air machine!

LIFA HC1100 is designed for filtering/cleaning of airborne pollutants, such as building construction dust, pulverized asbestos, quartz, mill and wood dust etc. that forms in new and renovation buildings. LIFA HC1100 is a portable negative air machine for dust control for small applications and places.

- Linear airflow control until 1100 m³/h (max. airflow w/o filters)
- The size enables it to fit in narrow/ cramped place
- Light weight, only 16 kg
- Low power consumption (max. 0,17 kW)
- Wide range of fine and HEPA-filters available

Note: There is an 8 second delay between switching on the machine and the start of the engine!

Safety Precautions

The following safety directions must be carefully observed in order to avoid injury of personnel or damage to the environment or the equipment.

Following these instructions will ensure the safe and uninterrupted use of the machine.

- Equipment must not be used without a filter.
- This equipment must not be positioned nor used in the areas where there is a risk of explosion or hazardous substances are used.
- The equipment must not get wet and it has to be protected from rain, vibration and wind.
- Foreign objects must not be inserted or fitted into the equipment.
- The machine must not be covered during the operation.
- The operator must ensure that the equipment is suitable and designed for the task and the statutory requirements are met.

1. Avoid contamination of the environment

The machine should be kept as clean as possible. The filters must be appropriately disposed of.

2. General safety

The power must be turned off when the machine is not being used. It is

forbidden to make any modifications to LIFA HC1100.

3. Operating safety

The person/persons performing the work should use personal protective equipment: filtered mouth mask, helmet, earmuffs, goggles, overall, safety boots and other necessary protective equipment the

project requires. The axial fan has extremely powerful suction. Items (clothing, hair etc.) could easily be sucked into the intake cone and cause injury. It is prohibited to remove protective grating of the suction inlet. The vacuuming unit must never be used with an unprotected suction inlet or exhaust outlet, because the fan wheel could cause serious injury. Any objects that get caught in the fan could be thrown out at high speed and cause injury. Always ensure the outlet air is directed to a safe place where there are no people or materials that could be damaged. Never put your hand in the vacuum.

4. Workplace conditions

It is prohibited to use the vacuuming unit in handling of gases, which are classified as corrosive, toxic or explosive or contain high moisture. The machine must not be used in areas where there is a risk of explosion. The worksite has to be free of obstacles and the main switch easily controlled.

5. Operating temperature

The temperature of the transferred gas must not exceed 80 °C (175 °F). The machine must not be used in an environment where the temperature exceeds 40 °C (100 °F) or drops below -20 °C (-4 °F).

6. Electrical connection

- Ensure that the voltage supply and the current correspond to the information stated in the CE-plating and the information in these instructions.
- LIFA HepaClean 1100 must be connected to a single-phase current (1~), 200-240 VAC, 50/60 Hz, 10 A.

Only authorised electrician may do the repairs or installations of the electrical components. In addition electrician has to be authorised by the manufacturer; otherwise the warranty expires.

Ensure that the power supply is reliably earthed!

7. Noise level

The noise level of LIFA HepaClean 1100 is low (<70 dB) and it does not depend on the operating environment.

8. Transportation

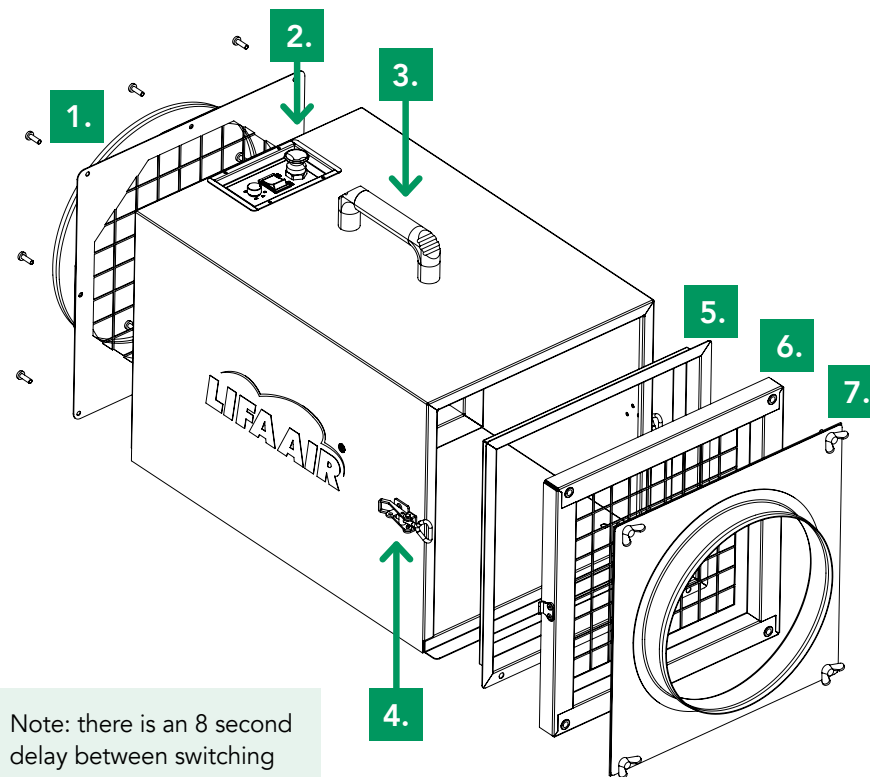
Check all parts before installation and use. Ensure that none of them have been damaged during transport and the fan wheel rotates freely. The vacuuming unit must be protected from moisture and it must not be stored unprotected outside. Please be careful when lifting the vacuuming unit.

General Directions

1. LIFA HepaClean 1100 can only be used for the purposes that it is designed for and which are outlined in the instructions. It is forbidden to use the equipment for any other purpose without written permission from the manufacturer. If this equipment is used for a purpose other than in which it is designed for, the manufacturer does not take the responsibility for any consequences.
2. Persons responsible for operating this equipment /supervising the use of this equipment must get acquainted with the structure, functions and the safe use of the equipment.
3. It is prohibited to remove or disable any technical protective / safety device while using the machine.
4. If the machine has to be installed in a way that protective / safety device is disabled or device functioning is limited, work supervisor / person in charge must immediately be notified of this.

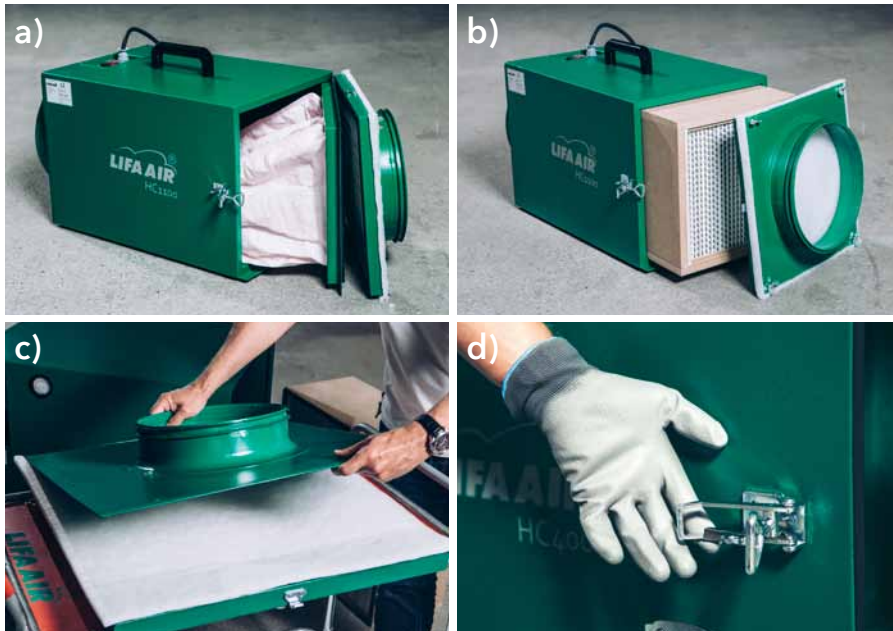
Construction and Control

1. Connection stud exhaust side \varnothing 300 mm (12")
2. Main switch and linear airflow controller
3. Lifting handle
4. Fastening latches (both sides)
5. Frame for bag filters
6. Fastening piece for HEPA filter / frame for G4 prefilter
7. Connection stud suction side \varnothing 250 mm (10")



Note: there is an 8 second delay between switching on the machine and the start of the engine.

Operating Principles



LIFA HC 1100 can be used with a) a bag filter, b) a HEPA filter and c) prefilter media. Filters are installed by opening the fastening latches (d) and installing the filters as shown in the picture above.

Installation

Check that the exhaust air can flow unhindered and protect the unit from vibration or blows. Ensure that the suction inlet and exhaust outlet are fitted with their protective grilles, in accordance with the regulations. The maximum permitted operating temperature is 40 °C (100 °F).

Filters

The machine must always be used with at least the pre-filter, which must be installed as shown in picture c) above. Place

the pre-filter between the Fastening piece for HEPA filter / frame for G4 prefilter (No. 6) and the Connection stud suction side (No. 7). In addition, LIFA HC1100 can be used with a HEPA or a bag filter. In case a bag filter is not being used, the frame for bag filters (No. 5) must be removed.

Electrical connection

The vacuuming unit has an EC-motor, which is connected to a single-phase (1~) current. The electrical power network has to be earthed.

Service and Maintenance

The machine must be unplugged before carrying out maintenance!

Regular service and maintenance:

- **Filter exchange**

The person replacing the filter must wear personal protective equipment. Old filter can be disposed of as mixed waste or as hazardous waste (asbestos and other hazardous materials).

- **Machine cleaning**

The body and the ends of the machine must be cleaned thoroughly after every use for example by sweeping with a damp cloth.

If there is a possibility that the filter contains asbestos or other hazardous materials, it must be replaced according to the guidelines for working with asbestos or according to the legislative guidelines regarding the handling of hazardous materials. Also the body and the ends have to be cleaned after operating the machine.

Please note that **the machine must be cleaned of asbestos and/or other hazardous materials** before sending it to the manufacturer or a servicer authorized by manufacturer for maintenance.

Fans are equipped with fully closed ball bearings that do not need lubricating. Fan units are maintenance-free.

Only an authorized electrician, who is also authorized by the manufacturer, may carry out the electrical maintenance.

NOTE!

Possible repairs must be carried out by the manufacturer or a servicer authorized by LIFA Air. Third party repairs will void the warranty.

Technical Data

LIFA HepaClean 1100

Operating power:	Electricity
Operating voltage:	200-240 VAC, 1~
Frequency:	50/60 Hz
Motor:	0,17 kW / 1,5-1,25 A, EC-motor
Electric cable:	3G1.5 mm ² , length 3 m (10 ft)
Main switch:	Main switch and linear airflow control (8 sec delay)
Hose connection studa:	Suction: Ø 250 mm (10"), Exhaust: Ø 300 mm (12")
Dimensions: Length: Height: Width:	665 mm (26.2") 410 mm (16.1") 380 mm (15")
Weight:	16 kg (35 lbs)
Material	Painted steel

CE-marking plate is situated beside the main switch. Plugging in, maintenance and spare part supply must be done in accordance with the information given in this plate.

Spare parts and accessories

By using original LIFA-accessories you ensure the best performance and long operating life of the machine. Please inform the model of the machine (HC 1100) when ordering spare parts and accessories.

6420281010811	HEPA-filter H13, 305x305x292 mm, HC1100
37305305300	F7-bag filter, 3 pockets + plastic frame, size 302x302x300 mm, HC1100
6420281022906	G4 prefilter-media, cut to right size for HC1100, 5 pcs package
6420281021565	Exhaust Hose, clear plastic foil, 480 mm x thickness 0,15 mm and length 70 m / roll, Ø 350 mm (weight 10 kg)
6420281010972	Vacuum Duct Hose Ø 254 mm x length 10 m (suction hose)
6420281023576	Clamp for Duct Hose Ø 300 mm
EU7_01	Bag filter for exhaust side, class F7, Ø 480 mm, length 1,5 m, used for preventing exhaust air blowing effect and/or noise reducing/dampering

Warranty

The warranty period is one (1) year starting from the date of purchase and is valid according to the regular terms of delivery, provided that these operational and maintenance instructions have been carefully followed. Using anything other than original LIFA-accessories in the equipment will void the warranty.

Repair is free of charge within the warranty period (proof-of-purchase/ receipt must be presented) under the following conditions:

- The defect is caused by defects in materials or defective components.
- Defects caused by normal wear and tear, misuse or insufficient maintenance are NOT covered by the warranty.
- Any maintenance and repairs must be carried out by the manufacturer or by an authorized representative of the manufacturer. Manufacturer does not take responsibility for maintenance carried out by a third party.
- A written reclamation form has to be filled in and sent with descriptive photos to the manufacturer.

The appliance shall be delivered to the authorized Oy Lifa Air Ltd. representative from which machine has been bought or when agreed beforehand mutually in writing, to the manufacturer postage paid to:

Oy Lifa Air Ltd.
Vellamonkatu 30 B
FI-00550 Helsinki
FINLAND

Tel. +358 9 3948 58
Email: sales@lifa.net

Please note that the machine must be **cleaned of asbestos and/or other hazardous materials before** sending it to the manufacturer or a servicer authorized by manufacturer for maintenance. In case the machine has not been cleaned appropriately, Oy Lifa Air Ltd. will charge the customer for the cleaning of the machine.

Oy Lifa Air Ltd. reserves the right to introduce changes without a further notice.

Recycling

The machine can always be returned to the LIFA Air authorized representative from which the buyer has bought the machine from, or to the address above postage paid in case there is no recycling facility where the owner lives.

- Metal parts (frame, reel, motor) can be recycled as metal scrap.
- Electrical parts (frequency converter, main switch) should be returned to an authorized recycling depot.
- Filters that may possibly contain asbestos or other hazardous materials must be appropriately disposed of as hazardous waste. Other filters can be recycled as mixed waste.
- Other parts can be recycled as mixed normal waste.

Declaration of Conformity

Manufacturer's name: Oy Lifa Air Ltd.
Manufacturer's address: Vellamonkatu 30 B,
 FI-00550 Helsinki, Finland
Manufacturer's telephone: +358 9 3948 58
Manufacturer's website: www.lifa-air.com
Model: LIFA HepaClean 1100

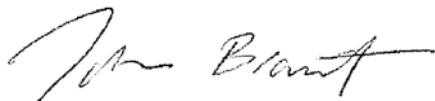
Oy Lifa Air Ltd. is ISO 9001 and ISO 14001 Certified.

Oy Lifa Air Ltd. hereby states, with sole responsibility, that the machine models covered by this announcement comply with the requirements of the following EC directives and standards:

- EU Machinery Directive MD 2006/42/EC
- EU Low Voltage Directive LVD 2006/95/EC
- EU Electromagnetic Compatibility Directive EMC 2004/108/EC
- EU Directive on the restriction of the use of certain hazardous substances in electrical and electronic equipment RoHS 2011/65/EC
- EN ISO 12100:2010 Safety of machinery
- EN 60204-1:2007 Safety of machinery. Electrical equipment of machines. General requirements.

The product fulfils requirements for CE-marking.

Oy Lifa Air Ltd. 10.01.2017



Johan Brandt, CEO

LIFA Air Product Family

	HepaClean 1100	HepaClean 2500	AirClean 3500	HepaClean 4000
Airflow max, w/o filter (m3/h)	1100 (650 CFM)	2500 (1470 CFM)	3600 (2100 CFM)	4600 (2700 CFM)
HEPA 13 (m3/h)	700 (410 CFM)	1800 (1100 CFM)	2900 (1700 CFM)	3200 (1880 CFM)
F7 bag filter (m3/h)	---	2400 (1400 CFM)	3200 (1900 CFM)	3500 (2060 CFM)
Operating Voltage	200-240 VAC, 1~ 50/60 Hz	200-277 VAC (or 100-120 VAC), 1~ 50/60 Hz	200-277 VAC (or 100-120 VAC), 1~ 50/60 Hz	200-277 VAC (or 100-120 VAC), 1~ 50/60 Hz
EC-motor power	0,17 kW / 1,5-1,25 A	0,5 kW / 2,5-1,8 A	0,78 kW / 3,9-2,8 A	1,35 kW / 6,8-4,9 A
Electric cable	3 m (10 ft)	3 m (10 ft)	3 m (10 ft)	3 m (10 ft)
Measurements (mm)	L665 (26.2"), H410 (16.1"), W380 (15")	L960 (37.8"), H650 (25.6"), W540 (21.3")	L960 (37.8"), H650 (25.6"), W540 (21.3")	L1030 (40.6"), H800 (31.5"), W700 (27.6")
Weight (w/o filters)	16 kg (35 lbs)	57 kg (126 lbs)	57 kg (126 lbs), (100-120 VAC version: 65 kg, 143 lbs)	88 kg (194 lbs)
Material	Painted steel	Painted steel	Painted steel	Painted steel
Readily assembled	Lifting handle	Lockable wheels, lifting handles	Lockable wheels, lifting handles	Lockable wheels, lifting handles
Machine's equipment	Linear airflow control, connection studs: Ø250 mm (10") in, Ø300mm (12") out	Linear airflow control, Pressure gauge, connection studs: Ø300 mm (12") in, Ø300 mm (12") out	Linear airflow control, Pressure gauge, connection studs: Ø300 mm (12") in, Ø300 mm (12") out	Linear airflow control, Pressure gauge, connection studs: Ø300 mm (12") in, Ø300 mm (12") out

LIFAair[®]

Oy Lifa Air Ltd.

Vellamonkatu 30 B, 00550 Helsinki, Finland
+358 9 3948 58 | sales@lifa.net | www.lifa-air.com

These instructions should always be available for the personnel operating the machine.
Please read these instructions carefully before operating the machine.
Following these instructions in detail ensures many years of trouble-free use.